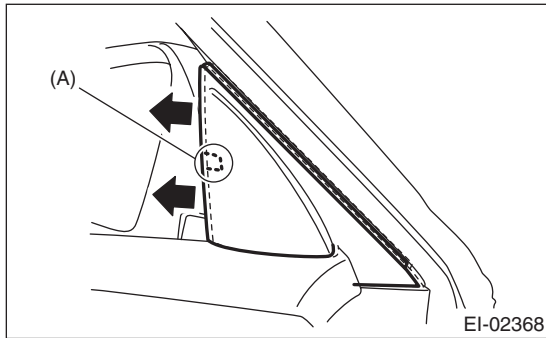


## 14. Door Trim

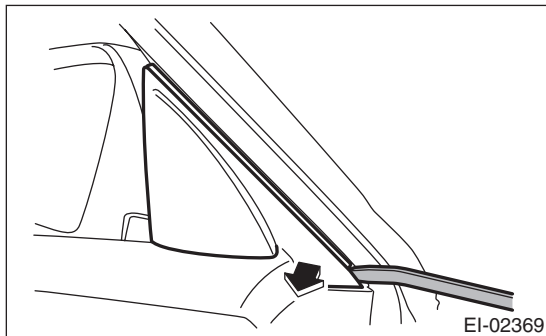
### A: REMOVAL

#### 1. FRONT DOOR

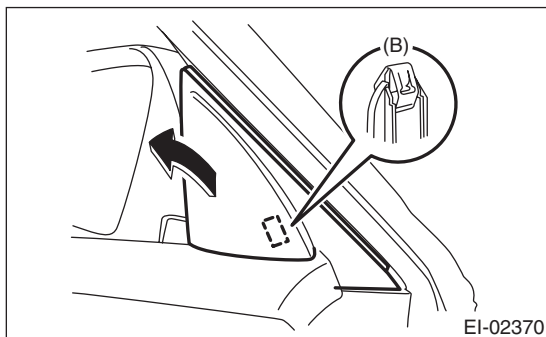
- 1) Disconnect the ground cable from battery.
- 2) Remove the gusset cover.
  - (1) Pull the gusset cover backward to detach the claws (A) on the backside of the gusset cover.



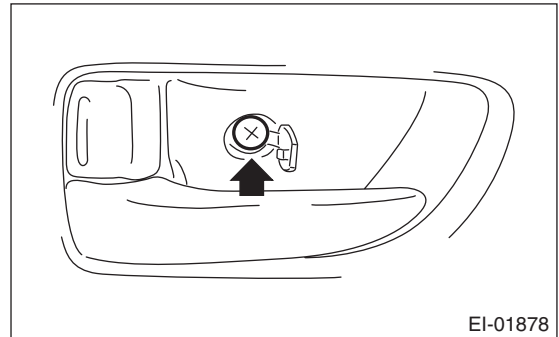
- (2) Insert a plastic remover into the position shown in the figure while retaining the condition in step (1), and lift up the gusset cover.



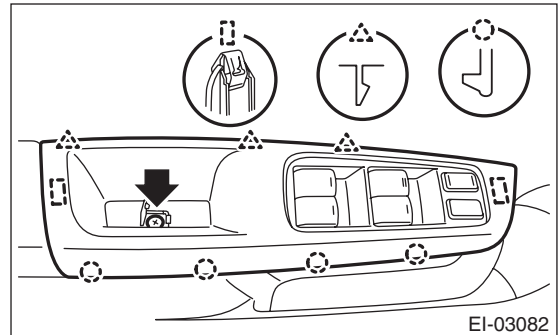
- (3) Remove the gusset cover in the direction of the arrow to detach the clip section (B), and disconnect the connector.



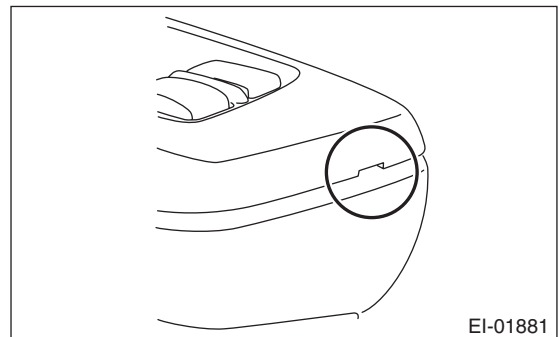
- 3) Open the cover of the inner remote section, and remove the screws.



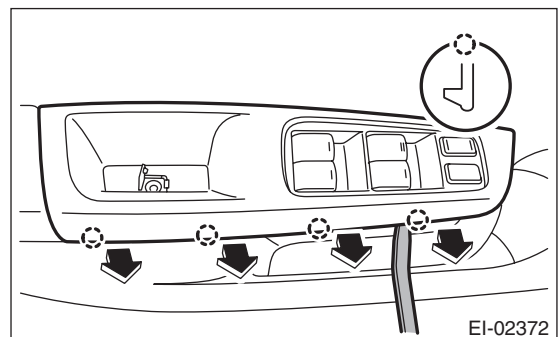
- 4) Remove the power window switch panel.



- (1) Open the cover and remove the screws.
- (2) Lift up the tip of switch panel by using a plastic remover.



- (3) Remove the side claws by using a plastic remover.

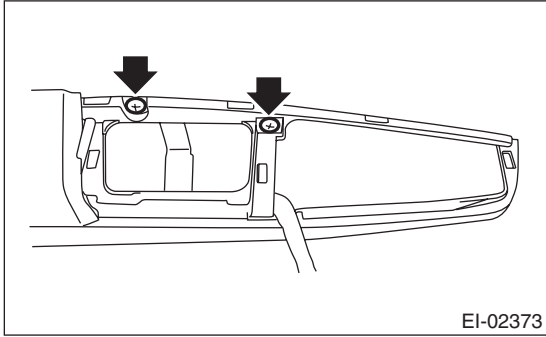


- (4) Disconnect the harness connector, and remove the power window switch panel.

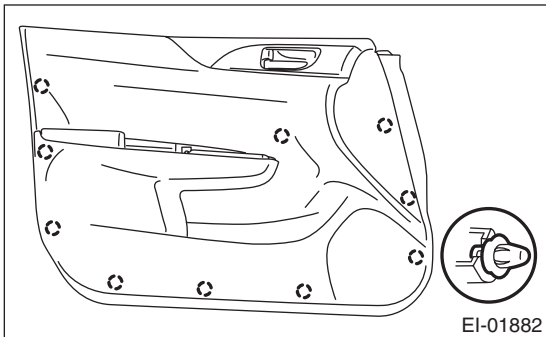
# Door Trim

## EXTERIOR/INTERIOR TRIM

5) Remove the door trim screws.



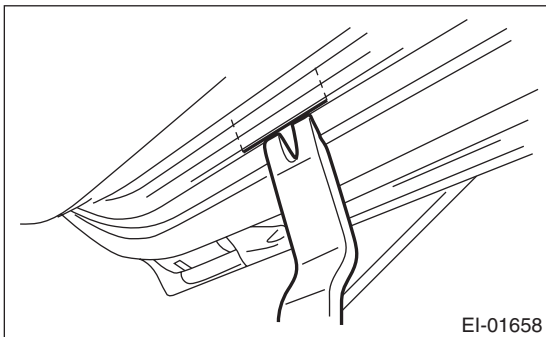
6) Remove the door trim.



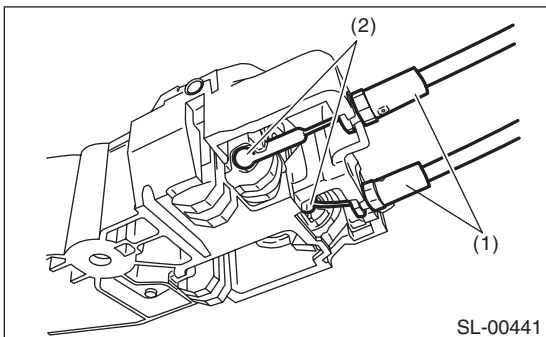
(1) Remove the clips, then lift the door trim.

### NOTE:

Insert a plastic clip remover into the slit at the bottom of the door trim, to lift the door trim.



(2) Remove the cable (1) and (2) from the cable holder of inner remote.



(3) Remove the door trim.

## 2. REAR DOOR

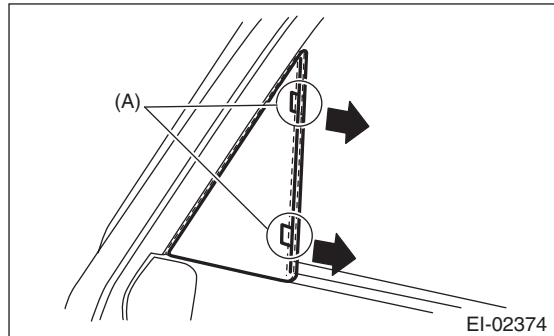
1) Disconnect the ground cable from battery.

2) Remove the gusset cover.

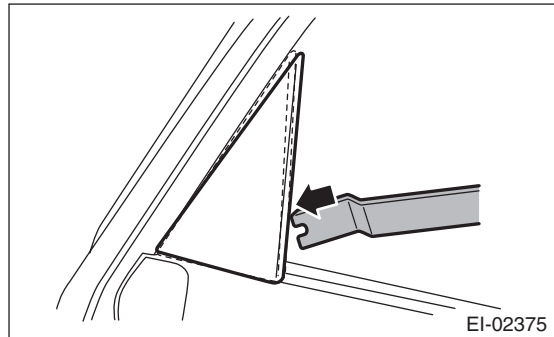
(1) Push gusset cover in direction of vehicle front to detach the claws (A) on the backside of the gusset cover.

### CAUTION:

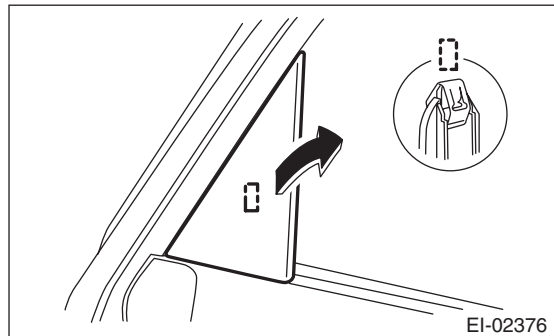
Be careful not to damage the claws (A).



(2) Insert a plastic remover into the position shown in the figure while retaining the condition in step (1), and lift up the gusset cover.



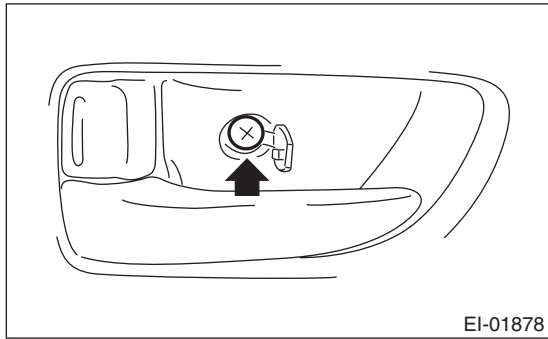
(3) Remove the gusset cover in the direction of the arrow to detach the clip section.



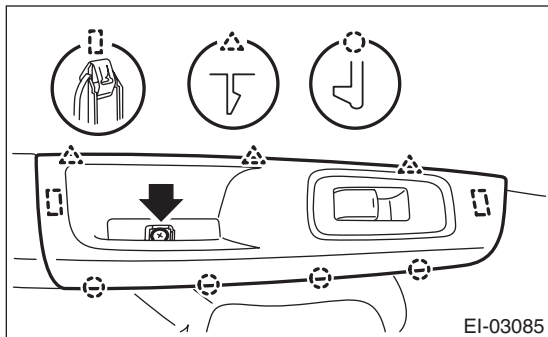
# Door Trim

EXTERIOR/INTERIOR TRIM

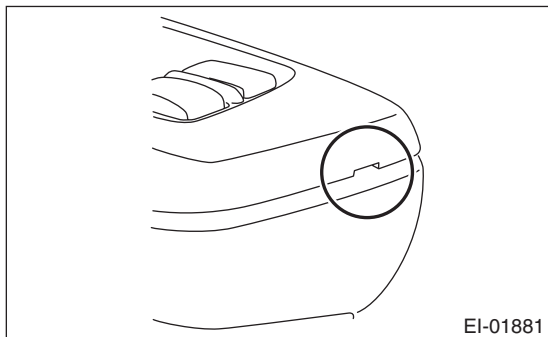
3) Open the cover of the inner remote section, and remove the screws.



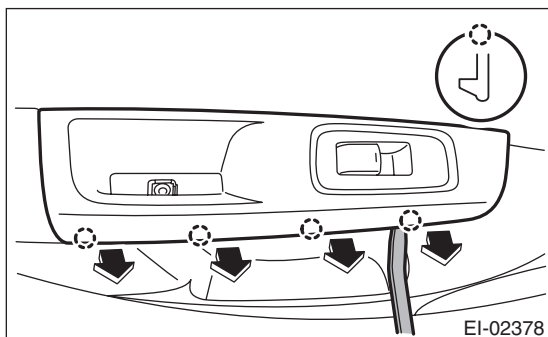
4) Remove the power window switch panel.



(1) Open the cover and remove the screws.  
(2) Lift up the tip of switch panel by using a plastic remover.

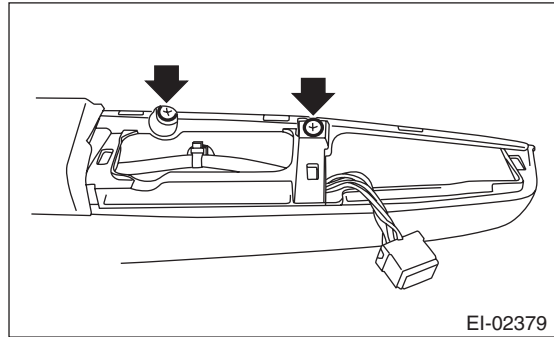


(3) Remove the side claws by using a plastic remover.

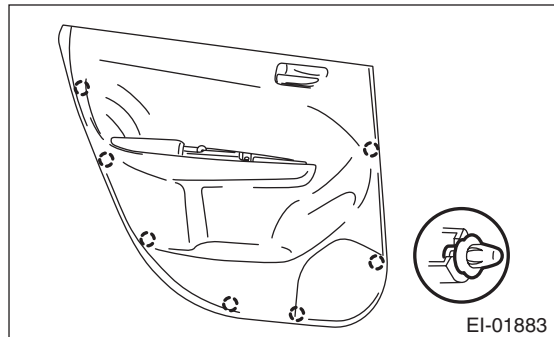


(4) Disconnect the harness connector, and remove the power window switch panel.

5) Remove the door trim screws.

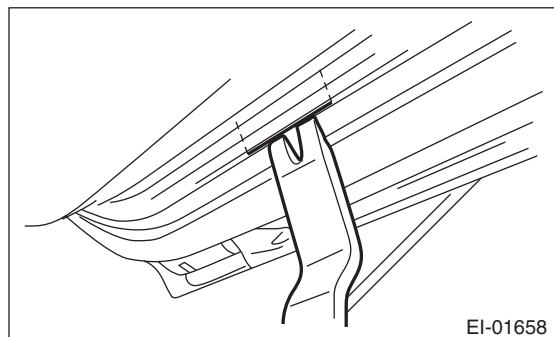


6) Remove the door trim.



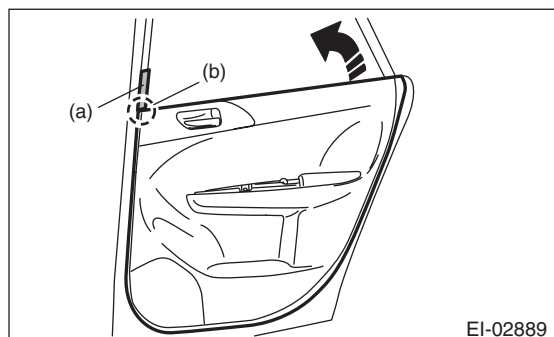
(1) Remove the clips, then lift the door trim.

**NOTE:**  
Insert a plastic clip remover into the slit at the bottom of the door trim, to lift the door trim.



(2) Attach the protective tape (a) to the front door sash.

(3) Remove the door trim by rotating it around the trim tip part (b).

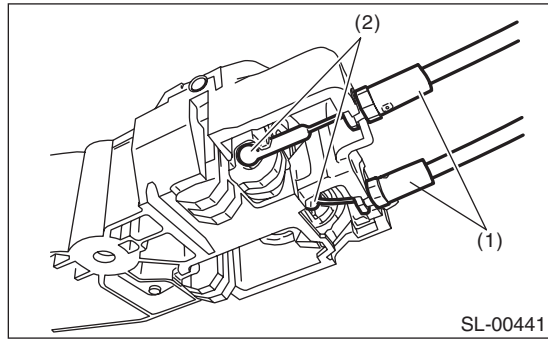


## Door Trim

### EXTERIOR/INTERIOR TRIM

---

(4) Remove the cable (1) and (2) from the cable holder of inner remote.



(5) Remove the door trim.

### **B: INSTALLATION**

Install each part in the reverse order of removal.